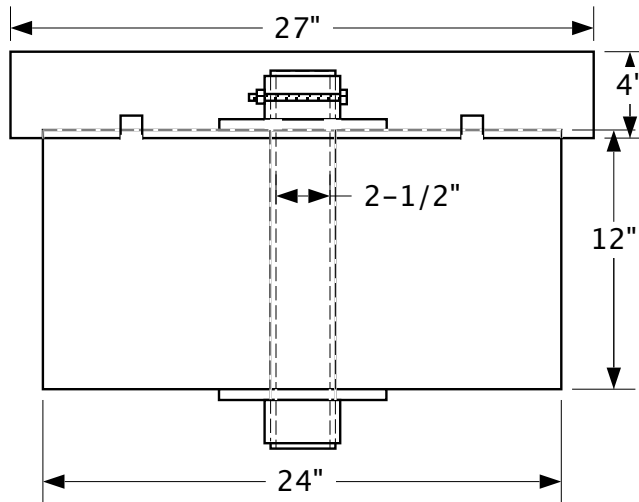
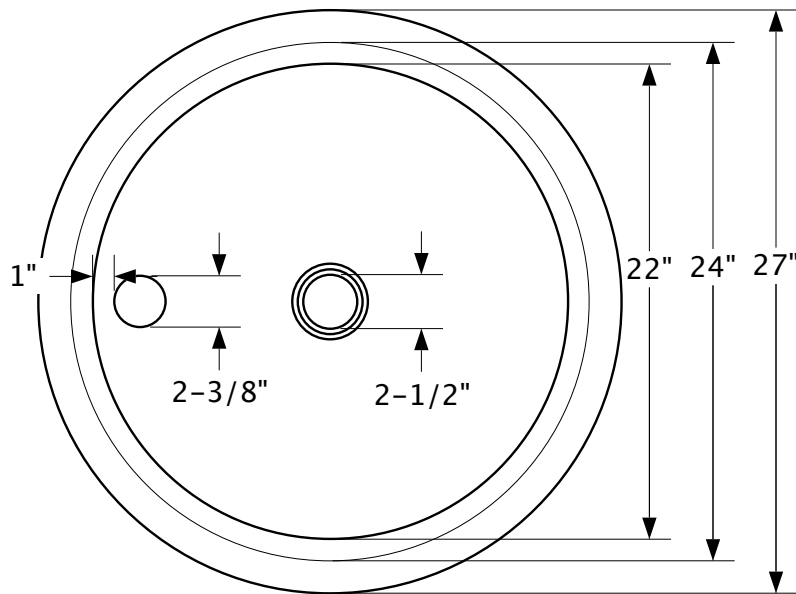


GILMAN CORPORATION MOORING FLOAT WITH FENDERING DECK RING



NET BUOYANCY = 178 LBS

AIR WEIGHT = 21 LBS



MOORING FLOATS ARE AVAILABLE IN VARIOUS SIZES